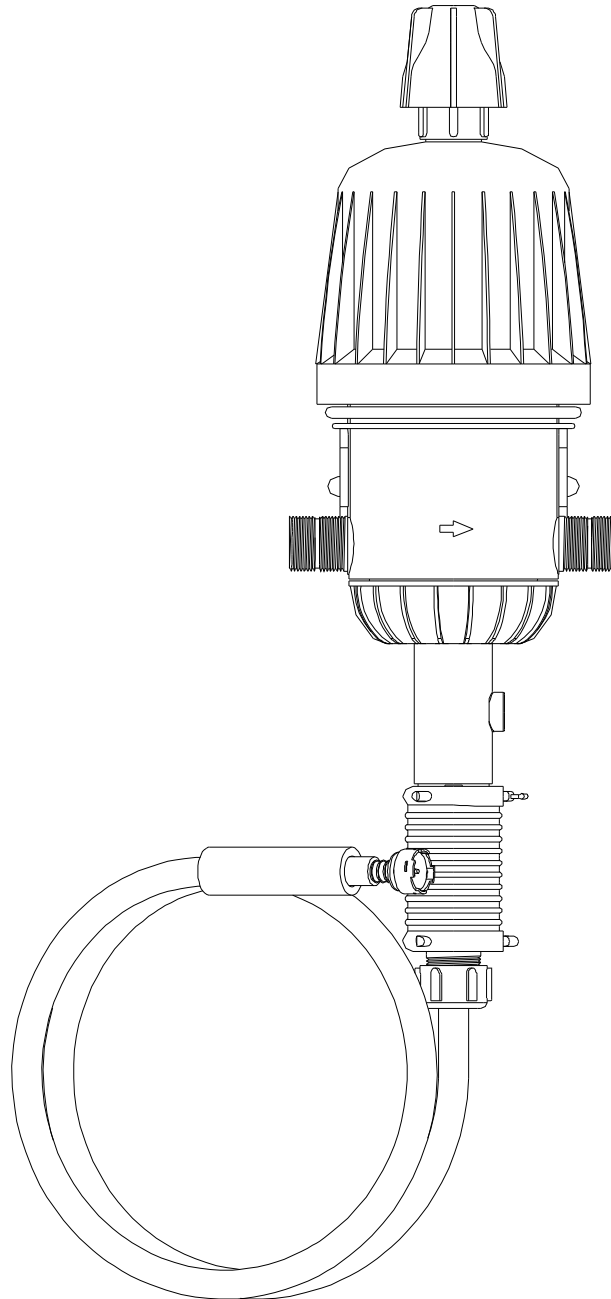


DEMA

**DEMA MIXRITE PROPORTIONING PUMP
MODELS 570(CW), 571(CW), 572(CW), & 573(CW)
INSTALLATION INSTRUCTION**

2% & 4% MixRite Pumps



MODELS 570(CW), 571(CW), 572(CW) & 573(CW)

DEMA MIXRITE PROPORTIONING PUMP
MODELS 570(CW), 571(CW), 572(CW), & 573(CW)
INSTALLATION INSTRUCTION
TECHNICAL DATA TABLE

MODEL # **	INDUCTION RANGE%*	INDUCTION RANGE RATIO*	Ability to turn off the chemical flow while water is running	OPERATING TEMPERATURE	WATER PRESSURE
570, 570CL 570CW, 570PVDF	0.2% to 2%	500/1 to 50/1	NO	39°F to 122°F (4°C to 50°C)	2.9 to 85 PSI (0.2 to 6 Bar)
571, 571CW	0.2% to 2%	500/1 to 50/1	YES	39°F to 122°F (4°C to 50°C)	2.9 to 85 PSI (0.2 to 6 Bar)
572, 572CW	0.4% to 4%	250/1 to 25/1	NO	39°F to 122°F (4°C to 50°C)	2.9 to 85 PSI (0.2 to 6 Bar)
573, 573CW	0.4% to 4%	250/1 to 25/1	YES	39°F to 122°F (4°C to 50°C)	2.9 to 85 PSI (0.2 to 6 Bar)

* Induction % and induction ratios are based on a water thin product viscosity of 1Centipoise (1Cps).

** CW is the carwash model. It has special internal components for carwash chemicals. CW is an option to order for each of the MixRite models.

CL is for chlorinated chemicals.

PVDF is for very aggressive chemicals, acids, chlorines and solvents.

FOR ALL MODELS

Flow Rate: 0.09-11GPM (0.34 to 41.6 L/M)

Maximum Suction Height: 10 Ft. (3 Meters)

Weight: 2.75 lb. (1.25 kg)

1. PURPOSE:

The DEMA MixRite proportioning pump allows a chemical product to be pumped at a preset constant mix ratio over a flow range of 0.09 to 11GPM (0.34 to 41.6 L / M).

It is a reciprocating piston powered pump that mixes a measured amount of chemical with each return stroke of a large “engine” piston. A smaller chemical piston that is attached by a rod to the “engine” does the actual pumping of the chemical.

The amount of chemical drawn on each return stroke is regulated by a Proportioning Adjuster which lengthens or shortens the chemical reservoir that the chemical piston plunges into on each intake stroke. The Proportioning Adjuster has a percent scale on one side and a ratio scale on the other and is easy to set by turning it either clockwise or counterclockwise to match up with the desired scale.

Features of the DEMA MixRite

- The DEMA MixRite can be disassembled with bare hands.
- It can be serviced while attached to a wall.
- All seals are easily replaceable.

**DEMA MIXRITE PROPORTIONING PUMP
MODELS 570(CW), 571(CW), 572(CW), & 573(CW)
INSTALLATION INSTRUCTION**

2. PARTS / COMPONENTS:

- A. DEMA MixRite
- B. Pickup tube and foot valve assembly
- C. Ceramic weight
- D. 3/4" hose barbs, couplings & washers (2 sets)

3. MOUNTING THE DEMA MIXRITE:

1. Prepare the DEMA MixRite Site.
 - a) Ensure that the DEMA MixRite intake and outlet ports can reach the supply and outlet hoses.
 - b) The DEMA MixRite should be positioned no more than 10 ft above the liquid chemical container (see Fig. 1)
2. Screw the DEMA MixRite bracket into a wall or any stable vertical base.
3. Press the DEMA MixRite onto the bracket. The nipples on the DEMA MixRite must click into the holes in the side of the bracket.

4. INSTALLATION: Installing the DEMA MixRite on a Direct Line (see Fig.1 & 2) or a Bypass Line (see Fig. 3).

1. Install a 3/4" hose barb kit (included) to the inlet and another to the outlet of the MixRite or attach a 3/4" garden hose to the inlet and outlet.
 2. Install a 200 mesh (80 micron) filter (DEMA P/N 50-41-1) prior to the MixRite intake hose barb.
- WARNING: Do not overtighten and be careful not to strip the threads.**
3. Attach any shutoff valves you may require to obtain an inline or bypass (off line) configuration (see Figures 1, 2, & 3 below).
 4. Position the liquid chemical container no more than 10 ft beneath the pump.
 5. Check to insure that the suction tube is not bent.
 6. Slip the ceramic weight over one end of the suction tube and then attach the foot valve to the same end. Put the foot valve end of the tube into the chemical container and attach the other end to the MixRite.

NOTE: Ensure that the water flows into the DEMA MixRite in the direction indicated by the arrow printed on the DEMA MixRite body.

Figure 1

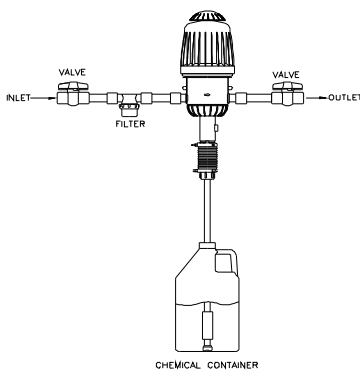


Figure 2

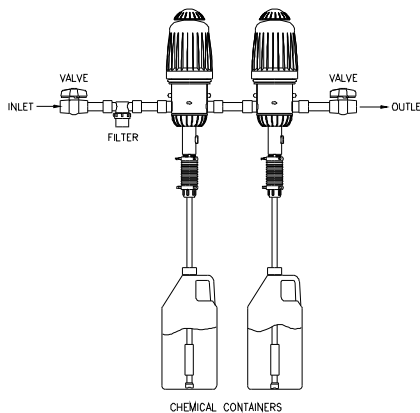
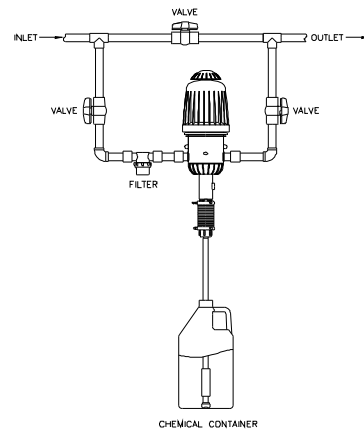


Figure 3



**DEMA MIXRITE PROPORTIONING PUMP
MODELS 570(CW), 571(CW), 572(CW), & 573(CW)
INSTALLATION INSTRUCTION**

5. OPERATION:

The MixRite will operate as soon as water is allowed to flow through it. If the pump is operating but not drawing, check #7 below if you have model 570 or 572 and check #8 below if you have model 571 or 573.

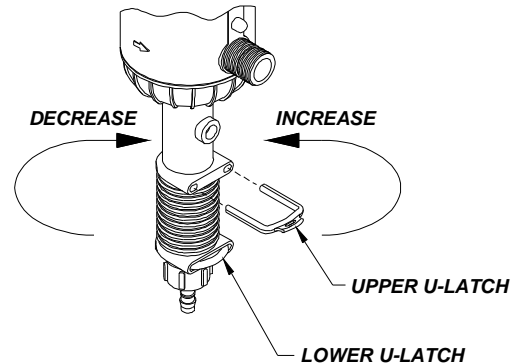
6. ADJUSTING THE DEMA MIXRITE:

Directions to adjust for the volume (ratio) of the liquid chemical.

Remove the **upper** U-latch from the Proportioning Lock Latch.

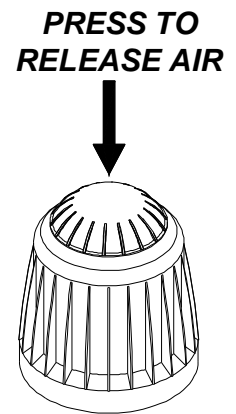
NOTE: Do not remove the lower U-latch unless you are servicing the unit.

1. Preset the amount of the chemicals according to the Percent to Water Scale that is found on the proportioner. **Do not adjust past the last marking.**
2. Turn the Proportioning Adjuster clockwise to increase the amount of chemicals (the Adjuster will go **UP** the scale).
3. Turn the Proportioning Adjuster counterclockwise to decrease the amount of chemicals (the Adjuster will go **DOWN** the scale).
4. Turn the Proportioning Adjuster slightly, until the U-latch holes of the Proportioning Lock Latch align with the notches in the Proportioner.
5. Push the upper U-latch into the U-latch holes of the Proportioning Lock Latch until it is firmly in place.



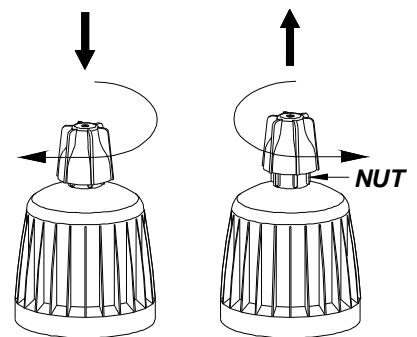
7. AIR-RELEASE VALVE FOR MODELS: 570 & 572

To release air from the DEMA MixRite, apply pressure to the cap (Air Release Valve) for several seconds to open valve that allows trapped air to escape. This air release is accompanied by a slight loss of water.



8. ON/OFF AND AIR-RELEASE VALVE FOR MODELS: 571 & 573

1. To turn the unit **off** (pumping stops but there is still free flow of water through the MixRite):
 - Push the handle in and turn it clockwise so that it is in the closed state.
2. To turn the unit **on** (pumping action resumes as water still flows through the MixRite):
 - Turn the handle counterclockwise and pull it out so that it is in the opened state.
3. To **release air** from the DEMA MixRite:
 - Turn the handle and pull it out so that it is in the opened state.
 - Locate the nut beneath the handle.
 - Turn the nut counterclockwise until the two bleed holes are exposed.
 - **Push down on the handle** until water comes out of the bleed holes. After the air is bled off, turn the nut clockwise until it is tight again.



**DEMA MIXRITE PROPORTIONING PUMP
MODELS 570(CW), 571(CW), 572(CW), & 573(CW)
INSTALLATION INSTRUCTION**

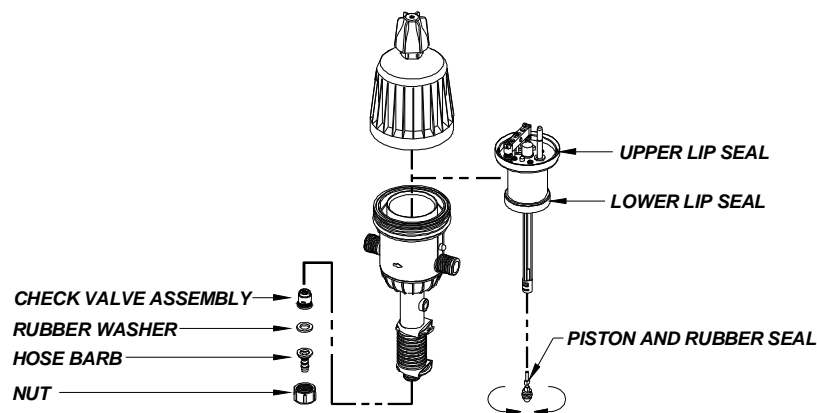
9. RINSING AND CLEANING THE UNIT:

After pumping:

1. Rinse the unit by pumping clean water through the chemical suction line. Caustic, chlorinated, corrosive chemicals should be rinsed out after use from the chemical container. Also fertilizers need to be rinsed out after use.
2. Wash the external surface of the unit with clean water.

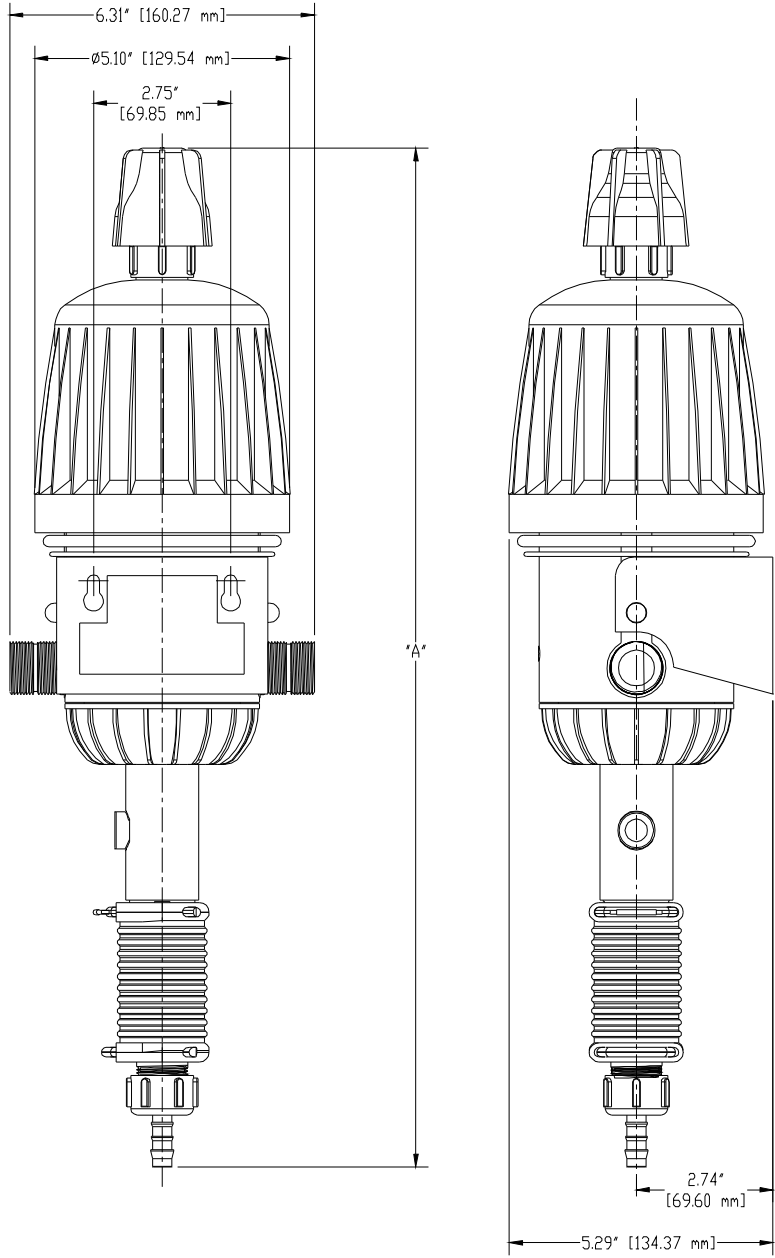
10. TROUBLESHOOTING: Caution: Turn off water supply before troubleshooting.

PROBLEM	CHECK	SOLUTION
MixRite does not operate. (No clicking noise)	<ol style="list-style-type: none"> 1. Check that the intake and outlet valves are open. 2. Check that the water filter is not clogged. 3. Check that the water is flowing in the line. 4. Check that the springs are not broken. 5. Check that the cylinder (# 7) is not scratched. 6. Check that the piston upper and lower lip seals are not damaged. 	<ol style="list-style-type: none"> 1. Open the valve. 2. Clean the filter. 3. Open main and or outlet valve. 4. Change the broken spring. 5. Change the cylinder. (# 57-10-7-2 for 570 & 571) (# 57-10-7-4 for 572 & 573) 6. Change the lip seals Kit NOs. 57-K02-005 2% 57-K04-012 4%
MixRite does not draw.	<ol style="list-style-type: none"> 1. Dismantle the chemical suction pump and check the suction seal for damage. 	<ol style="list-style-type: none"> 1. Turn the chemical piston ¼ turn to disconnect it from the bar. Replace it with kit: (# 57-3VE for 570 & 571) (# 57-8VE for 572 & 573)
The MixRite makes scratching noises.	<ol style="list-style-type: none"> 1. Check if there is liquid in the proportioning container. 2. Check if suction tube is immersed and not folded. 3. Check suction filter to see if it is blocked and if it is immersed in the proportioning liquid. 	<ol style="list-style-type: none"> 1. Add liquid to the container. 2. Straighten or change the tube. 3. Clean and rinse suction filter by filling liquid into tank to cover filter.





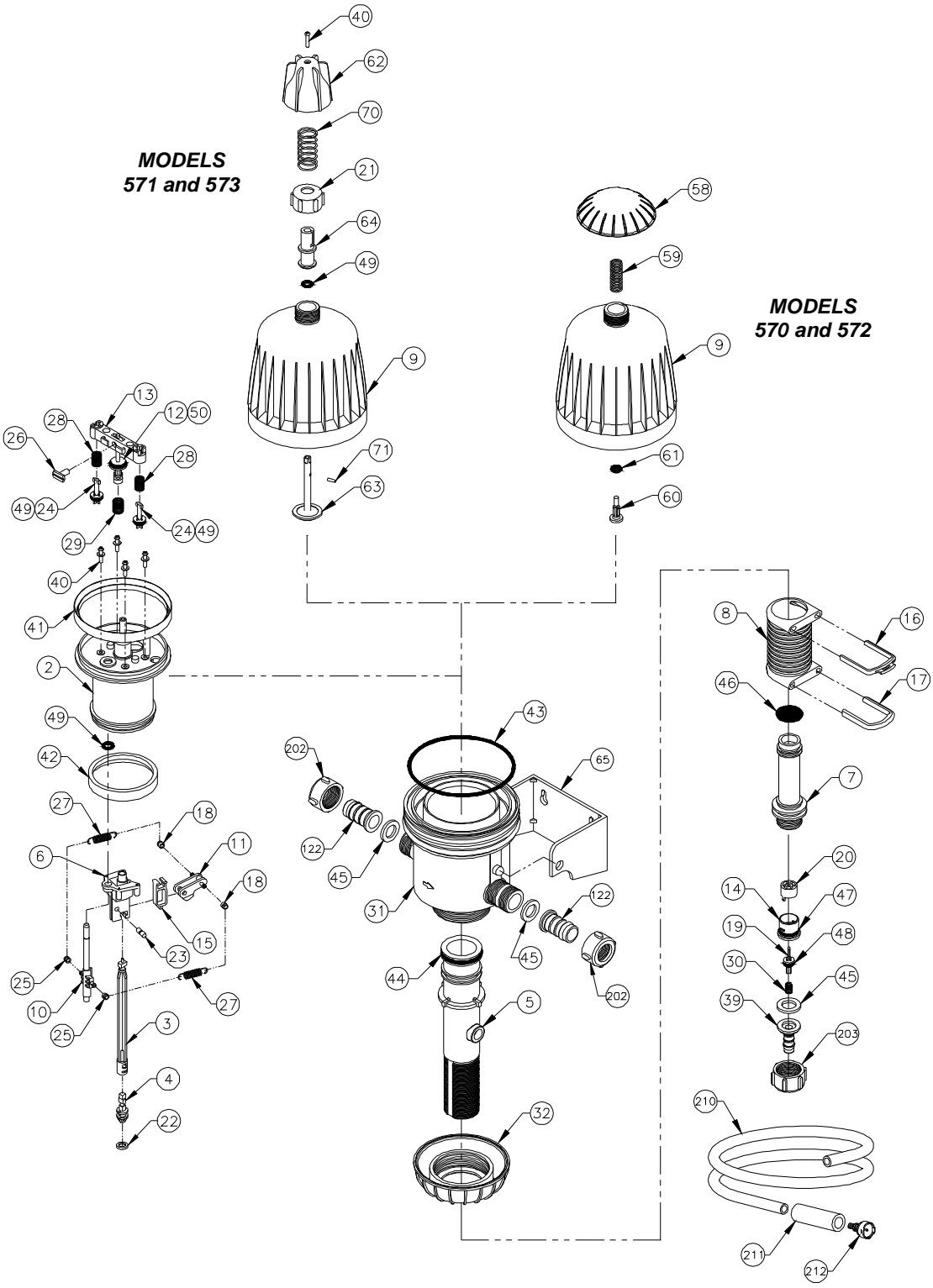
DEMA MIXRITE PROPORTIONING PUMP
MODELS 570(CW), 571(CW), 572(CW), & 573(CW)
INSTALLATION INSTRUCTION



Weight:	MixRite Models	Height "A"	
		Minimum	Maximum
2.75 lb. (1.25 kg)	570 & 572	18.25" [463.55 mm]	19.75" [501.65 mm]
	571 & 573	20.00" [508.00 mm]	21.50" [546.10 mm]



DEMA MIXRITE PROPORTIONING PUMP MODELS 570(CW), 571(CW), 572(CW), & 573(CW) INSTALLATION INSTRUCTION



**DEMA MIXRITE PROPORTIONING PUMP
MODELS 570(CW), 571(CW), 572(CW), & 573(CW)
INSTALLATION INSTRUCTION**

NO.	DESCRIPTION	NO.	DESCRIPTION
2	Piston Body	31	Body
3	Bar	32	Cylinder Support Nut
4	Piston	39	3/8" Barb Hose Connector
5	Cylinder Support	40	Hi-Lo Screw
6	Base	41	Upper Lip Seal
7	Cylinder (570, 571)	42	Lower Lip Seal
	Cylinder (572, 573)	43	Cover O-Ring
8	Adjustment Sleeve	44	Cylinder Support O-Ring
9	Cover	45	Washer Flat
10	Ejector Pin	46	Cylinder Support O-Ring (570,571)
11	Cylinder Toggle		Cylinder Support O-Ring (572,573)
12	Center Valve	47	Check Valve Lower O-Ring
13	Valve Bridge	48	Check Valve Upper O-Ring
14	Check Valve	49	Outer Cylinder O-Ring
15	Cylinder Frame	50	Outer Valve O-Ring
16	Latch - Upper	58	Air Release Cover (570, 571)
17	Nut Latch - Lower	59	Air Release Spring (570, 571)
18	Cylinder Toggle Slide	60	Air Release Screw (570, 571)
19	Check Valve Pin	61	Air Release O-Ring (570, 571)
20	Check Valve Lid	62	Rinse On/Off Knob (571, 573)
21	Nut (571, 573)	63	Push Rod
22	Seal	64	Top Valve (571, 573)
23	Cylinder Axle	65	Mounting Bracket
24	Outer Cylinder Valve	70	Compression Spring (571, 573)
25	Ejector Sled	71	Locking Pin (571, 573)
26	Pin	200	3/4" BSP Hose Nut
27	Cylinder Spring	122	3/4" Hose Barb Connector
28	Outer Cylinder Valve Spring	202	3/4" BSP Hose Nut (Water Inlet)
29	Center Valve Spring	203	3/4" BSP Hose Nut (Chemical Inlet)
30	Check Valve Spring		



**DEMA MIXRITE PROPORTIONING PUMP
MODELS 570(CW), 571(CW), 572(CW), & 573(CW)
INSTALLATION INSTRUCTION**

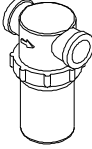
AVAILABLE REPLACEMENT PARTS		
NO.	PART NO.	DESCRIPTION
3	57-10-3	Bar
7	57-10-7-2	Cylinder (570, 571)
	57-10-7-4	Cylinder (572, 573)
8	57-10-8	Adjustment Sleeve
22	57-10-22-2	Seal (570, 571)
	57-10-22-4	Seal (572, 573)
31	57-10-31	Body
32	57-10-32	Cylinder Support Nut
43	57-10-43	Cover O-Ring
44	57-10-44	Cylinder support O-Ring
45	57-10-45	Rubber Washer
46	57-10-46	Cylinder O-Ring
47	57-10-47	Chk. Valve Lower O-Ring
48	57-10-48	Chk. Valve Upper O-Ring
49	57-10-49	Outer Cylinder O-Ring
50	57-10-50	Center Valve O-Ring
65	57-10-65	Mounting Bracket
210	100-12L	3/8" I.D. x 8' Lg. Tubing
211	61-107	Ceramic Weight
212	100-16V	Foot Valve

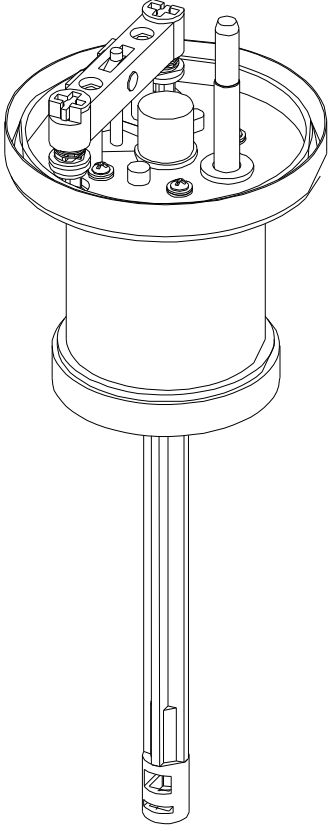
RETURNS: NO MERCHANDISE MAY BE RETURNED FOR CREDIT WITHOUT DEMA'S WRITTEN PERMISSION. RETURN MERCHANDISE AUTHORIZATION NUMBER REQUIRED IN ADVANCE OF RETURN.

WARRANTY: DEMA products are warranted against defective material and workmanship under normal use and service for one year from the date of manufacture. This limited warranty does not apply to any products which have a normal life shorter than one year or failure and damage caused by chemicals, corrosion, improper voltage supply, physical abuse, or misapplication. Rubber and synthetic rubber parts such as "o"- rings, diaphragms, squeeze tubing and gaskets are considered expendable and are not covered under warranty. This warranty is extended only to the original buyer of DEMA products. If products are altered or repaired without prior approval of DEMA, this warranty will be void.

Defective units or parts should be returned to the factory with transportation prepaid. If inspection shows them to be defective, they will be repaired or replaced without charge, F.O.B. factory. DEMA assumes no liability for damages. Return merchandise authorization number, to return units for repair or replacement, must be granted in advance of return.

**DEMA MIXRITE PROPORTIONING PUMP
 MODELS 570(CW), 571(CW), 572(CW), & 573(CW)
 INSTALLATION INSTRUCTION**

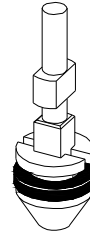
WATER INLET FILTER		
P/N 50-41-1		
NO.	DESCRIPTION	
N/A	Accessory	

Kit No. 57-2B Engine Repair Kit		
Kit No. 57-2B-10-VE 10% CL Engine Repair Kit		
NO.	DESCRIPTION	
2	Piston Body	
3	Bar	
6	Base	
10	Ejector Pin	
11	Cylinder Toggle	
12	Center Valve	
13	Valve Bridge	
15	Cylinder Frame	
18	Cylinder Toggle Slide	
23	Cylinder Axle	
24	Outer Cylinder Valve	
25	Ejector Sled	
26	Pin	
27	Cylinder Spring	
28	Outer Cylinder Valve Spring	
29	Center Valve Spring	
40	Hi-Lo Screw	
41	Upper Piston Seal	
42	Lower Piston Seal	
48	O-Ring (2-108)	
49	O-Ring (2-109)	
50	O-Ring (10 mm X 3 mm)	



DEMA MIXRITE PROPORTIONING PUMP
MODELS 570(CW), 571(CW), 572(CW), & 573(CW)
INSTALLATION INSTRUCTION

KIT NO. 57-3VE (FOR MODELS 570 & 571) Viton Extreme
KIT NO. 57-8VE (FOR MODELS 572 & 573) Viton Extreme



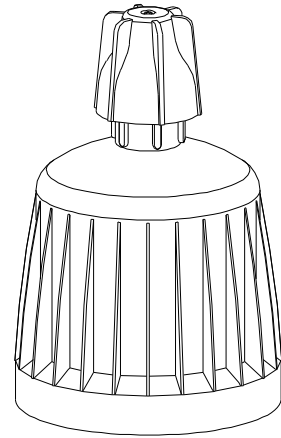
CHEMICAL PISTON KIT

NO.	DESCRIPTION
4	Chemical Piston
22	Rubber Seal

KIT NO. 57-1

RINSE ON/OFF COVER KIT FOR MODELS 571 & 573

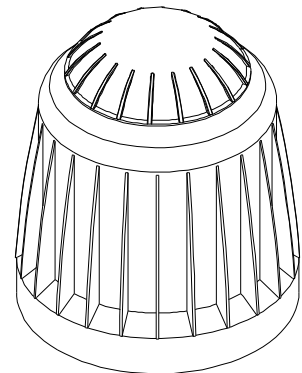
NO.	DESCRIPTION
9	Cover
21	3/4 Nut
40	Hi-Lo Screw
49	Outer Cylinder O-Ring (2-109)
62	Knob
63	Push Rod
64	Top Valve
70	Compression Spring
71	Locking Pin



KIT NO. 57-4B

AIR RELEASE COVER KIT FOR MODELS 570 & 572

NO.	DESCRIPTION
9	Cover
58	3/4 Nut
59	Hi-Lo Screw
60	Outer Cylinder O-Ring (2-109)
61	Knob





DEMA MIXRITE PROPORTIONING PUMP
MODELS 570(CW), 571(CW), 572(CW), & 573(CW)
INSTALLATION INSTRUCTION

KIT NO. 57-15-V		
CHEMICAL INLET TUBING KIT		
NO.	DESCRIPTION	
203	Male Connector	
39	Hose Connector	
45	Washer Flat	
210	3/8" I.D. X 8' Long Tubing	
211	1/2" I.D. Ceramic Weight	
100-16V	Umbrella Foot Valve	

KIT NO. 57-11-1		
METERING TIP KIT		
(For dilutions of 750:1, 1000:1, 1500:1 & 2000:1)		
NO.	DESCRIPTION	
220	Metering Tip - Tan	
221	Metering Tip - Burgundy	
222	Metering Tip - Amber	
223	Metering Tip - Copper	
224	3/8" I.D. X 3" Long Tubing	
225	1/4" Barb X 3/8" Barb Adapter	
226	1/4" I.D. X 8' Long Tubing	



DEMA MIXRITE PROPORTIONING PUMP
MODELS 570(CW), 571(CW), 572(CW), & 573(CW)
INSTALLATION INSTRUCTION

KIT NO. 57-5V Viton KIT NO. 57-5B Buna KIT NO. 57-5A Aflas		
CHEMICAL CHECK VALVE KIT		
NO.	DESCRIPTION	
14	Check Valve Base	
19	Check Valve Pin	
20	Check Valve Lid	
30	Check Valve Spring	
203	Hose Nut	
39	3/8" Hose Barb Connector	
45	Rubber Washer	
47	Check Valve Base O-Ring (2-114)	
48	Check Valve Pin O-Ring (2-108)	

KIT NO. 57-K02-005 (2%) KIT NO. 57-K04-012 (4%) KIT NO. 57-K10-210-VE (10% Chemical Piston Kit) KIT NO. 57-K10-013-VE (10% Chemical Seal Kit)		
LIP SEAL & PISTON SEAL KIT		
NO.	DESCRIPTION	
41	Upper Piston Seal	
42	Lower Piston Seal	
22	Chemical Piston Seal (2% chemical seal is black) (4% chemical seal is brown)	



**DEMA MIXRITE PROPORTIONING PUMP
MODELS 570(CW), 571(CW), 572(CW), & 573(CW)
INSTALLATION INSTRUCTION**

NOTES

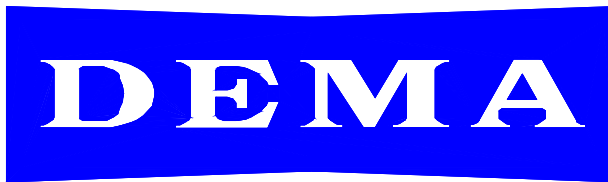


**DEMA MIXRITE PROPORTIONING PUMP
MODELS 570(CW), 571(CW), 572(CW), & 573(CW)
INSTALLATION INSTRUCTION**

NOTES

DEMA

**DEMA MIXRITE PROPORTIONING PUMP
MODELS 570(CW), 571(CW), 572(CW), & 573(CW)
INSTALLATION INSTRUCTION**



DEMA Engineering Company

10020 Big Bend Boulevard
St. Louis Missouri 63122
Telephone: (800) 325-3362
Fax: (314) 965-8319

Website: www.demaeng.com